

# Engine powered forklift 1.5 - 3.5 ton

TOYOTA  
**TONERO**



**TOYOTA**

MATERIAL HANDLING

stronger together

# Engine powered forklift 1.5 - 1.8 ton

Truck specifications					02-8FGF15	02-8FDF15	02-8FGF18	02-8FDF18
Identification	1.1	Manufacturer			TOYOTA	TOYOTA	TOYOTA	TOYOTA
	1.2	Model			02-8FGF15	02-8FDF15	02-8FGF18	02-8FDF18
	1.3	Drive			LPG	diesel	LPG	diesel
	1.4	Operator type			rider seated	rider seated	rider seated	rider seated
	1.5	Load capacity/rated load	Q	kg	1500	1500	1750	1750
	1.6	Load centre	c	mm	500	500	500	500
	1.8	Load distance, centre of drive axle to fork	x	mm	415	415	415	415
	1.9	Wheelbase	y	mm	1485	1485	1485	1485
	Weight	2.1	Service weight			2430	2530	2610
2.2		Axle load, with load, front/rear			3430/500	3480/550	3790/570	3910/550
2.3		Axle load, without load, front/rear			1010/1420	1060/1470	970/1640	1090/1620
Tyres	3.1	Tyre - pneumatic (P), pneumatic shaped cushion (SE), solid rubber (R)			P	P	P	P
	3.2	Tyre size, front			6.50-10-14PR (I)		6.50-10-14PR (I)	
	3.3	Tyre size, rear			5.00-8-8PR (I)		5.00-8-8PR (I)	
	3.5	Wheels, number front/rear (x=driven wheels)			2x/2	2x/2	2x/2	2x/2
	3.6	Track width, front	b <sub>10</sub>	mm	885	885	885	885
	3.7	Track width, rear	b <sub>11</sub>	mm	895	895	895	895
	Dimensions	4.1	Tilt of mast/fork carriage forward/backward	$\alpha/\beta$	deg	6/11	6/11	6/11
4.2		Height, mast lowered	h <sub>1</sub>	mm	1995	1995	1995	1995
4.3		Free lift	h <sub>2</sub>	mm	150	150	150	150
4.4		Lift	h <sub>3</sub>	mm	2960	2960	2960	2960
		Lift height	h <sub>23</sub>	mm	3000	3000	3000	3000
4.5		Height, mast extended	h <sub>4</sub>	mm	4250	4250	4250	4250
4.7		Height of overhead guard (cab)	h <sub>6</sub>	mm	2080	2080	2080	2080
4.8		Seat height	h <sub>7</sub>	mm	1020	1020	1020	1020
4.12		Coupling height	h <sub>10</sub>	mm	285	285	285	285
4.19		Overall length	l <sub>1</sub>	mm	3295	3295	3320	3320
4.20		Length to face of forks	l <sub>2</sub>	mm	2295	2295	2320	2320
4.21		Overall width	b <sub>1</sub>	mm	1070	1070	1070	1070
4.22		Fork dimensions	s/e/l	mm	40/80/1000	40/80/1000	40/80/1000	40/80/1000
4.23		Fork carriage DIN 15 173, class/type A, B			I/A	I/A	I/A	I/A
4.24		Fork-carriage width	b <sub>3</sub>	mm	920	920	920	920
4.31		Ground clearance, with load, below mast	m <sub>1</sub>	mm	80	80	80	80
4.32		Ground clearance, centre of wheelbase	m <sub>2</sub>	mm	95	95	95	95
4.33		Aisle width for pallets 1000 x 1200 crossways	A <sub>st</sub>	mm	3605	3605	3625	3625
4.34		Aisle width for pallets 800 x 1200 lengthways	A <sub>st</sub>	mm	3805	3805	3825	3825
4.35		Turning radius	W <sub>a</sub>	mm	1990	1990	2010	2010
4.36	Internal turning radius	b <sub>13</sub>	mm	575	575	575	575	
Performance data	5.1	Travel speed, with/without load		km/h	18,5/19,0	18,0/18,5	18,5/19,0	18,0/18,5
	5.2	Lift speed, with/without load		m/s	0,67/0,68	0,65/0,68	0,67/0,68	0,65/0,68
	5.3	Lowering speed, with/without load		m/s	0,50/0,55	0,50/0,55	0,50/0,55	0,50/0,55
	5.6	Max. drawbar pull, with/without load		N	17500/6300	17500/7000	17500/6300	17500/6300
	5.7	Gradeability, with load <sup>1)2)</sup>		%	41	42	40	40
	5.8	Max. gradeability, with/without load <sup>2)</sup>		%	45/22	45/22	44/20	45/20
	5.10	Service brake			hydraulic	hydraulic	hydraulic	hydraulic
Combustion engine	7.1	Engine manufacturer/type			TOYOTA 4Y-ECS	TOYOTA 1DZ-III	TOYOTA 4Y-ECS	TOYOTA 1DZ-III
	7.2	Engine power acc. to ISO 1585		kW	38	38	38	38
	7.3	Rated speed		1/min	2570	2400	2570	2400
	7.4	No. of cylinders/displacement		cm <sup>3</sup>	4/2237	4/2486	4/2237	4/2486
Others	8.2	Operating pressure for attachments		bar	118	118	118	118
	8.3	Oil volume for attachments		l/min	65 max.	64 max.	65 max.	64 max.
	8.4	Sound level at the driver's ear according to EN 12 053		dB(A)	77	79	77	79

<sup>1)</sup> At 1,5 km/h

<sup>2)</sup> Computed values

Performance data and dimensions are nominal and subject to tolerances. Specifications are subject to change without notice. Please obtain the latest specifications before contracting products.

# Most dimensions and rated capacities

Model			V								FV					FSV						
8FG/DF15/18	Lift height	$h_{23}$	3000	3300	3500	3700	4000	4500	5000	5500	3000	3300	3500	3700	4000	4300	4700	5000	5500	6000	6500	7000
	Lift	$h_3$	2960	3260	3460	3660	3960	4460	4960	5460	2960	3260	3460	3660	3960	4260	4660	4960	5460	5960	6460	6960
	Height, mast lowered	$h_1$	1995	2145	2245	2405	2595	2845	3095	3345	1995	2145	2245	2405	2595	1995	2145	2245	2405	2595	2845	3095
	Height, mast extended <sup>1)</sup>	$h_4$	3640	3940	4140	4340	4640	5140	5640	6140	3585	3885	4085	4285	4585	4865	5265	5565	6065	6565	7065	7565
	Height, mast extended <sup>2)</sup>	$h_4$	4250	4550	4750	4950	5250	5750	6250	6750	4240	4540	4740	4940	5240	5540	5940	6240	6740	7240	7740	8240
	Free lift, without load backrest	$h_2$	150	150	150	150	150	150	150	150	1440 [1250]	1590 [1400]	1690 [1500]	1850 [1660]	2040 [1850]	1460	1610	1710	1870	2060	2310	2560
	Free lift, with load backrest	$h_2$	150	150	150	150	150	150	150	150	785	935	1035	1195	1385	785	935	1035	1195	1385	1635	1885

1) Without load backrest

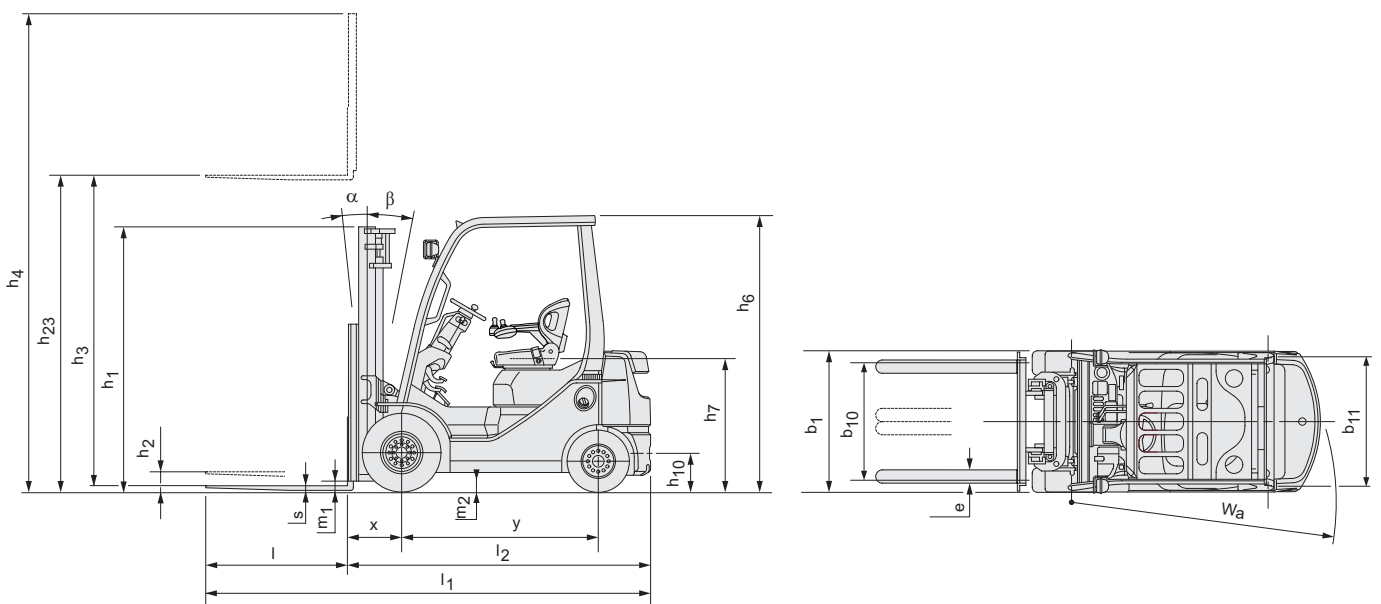
2) With load backrest; Height of standard load backrest is 1220 mm.

Data in [ ] are for when "A4 piping" is selected.

Single tyre			V								FV					FSV						
8FG/DF15	Tilt range, forward	deg	6	6	6	6	6	6	6	—	6	6	6	6	6	6	6	6	6	6	6	—
	Tilt range, backward	deg	11(6)	11(6)	11(6)	11(6)	11(6)	6	6	—	11(6)	11(6)	11(6)	11(6)	11(6)	6	6	6	6	6	6	—
	Load capacity, P tyres at 500 mm LC	kg	1500	1500	1500	1500	1500	1450	1300	—	1500	1500	1500	1500	1500	1400	1350	1250	950	700	500	—
	Load capacity, SE tyres at 500 mm LC	kg	1500	1500	1500	1500	1500	1450	1300	—	1500	1500	1500	1500	1500	1400	1350	1300	1050	800	570	—
8FG/DF18	Tilt range, forward	deg	6	6	6	6	6	6	6	—	6	6	6	6	6	6	6	6	6	6	6	—
	Tilt range, backward	deg	11(6)	11(6)	11(6)	11(6)	11(6)	6	6	—	11(6)	11(6)	11(6)	11(6)	11(6)	6	6	6	6	6	6	—
	Load capacity, P tyres at 500 mm LC	kg	1750	1750	1750	1750	1700	1600	1550	—	1750	1750	1750	1750	1700	1550	1500	1450	1100	850	500	—
	Load capacity, SE tyres at 500 mm LC	kg	1750	1750	1750	1750	1700	1600	1550	—	1750	1750	1750	1750	1700	1550	1500	1450	1200	950	570	—

Dual tyre			V								FV					FSV						
8FG/DF15	Tilt range, forward	deg	7	7	7	7	7	7	7	7	7	7	7	7	7	7	7	7	7	7	7	7
	Tilt range, backward	deg	10(5)	10(5)	10(5)	10(5)	10(5)	10(5)	5	5	10(5)	10(5)	10(5)	10(5)	10(5)	5	5	5	5	5	5	5
	Load capacity, P/SE tyres 500 mm LC	kg	1500	1500	1500	1500	1500	1450	1350	1300	1500	1500	1500	1500	1500	1400	1350	1300	1250	1100	900	650
8FG/DF18	Tilt range, forward	deg	7	7	7	7	7	7	7	7	7	7	7	7	7	7	7	7	7	7	7	7
	Tilt range, backward	deg	10(5)	10(5)	10(5)	10(5)	10(5)	10(5)	5	5	10(5)	10(5)	10(5)	10(5)	10(5)	5	5	5	5	5	5	5
	Load capacity, P/SE tyres at 500 mm LC	kg	1750	1750	1750	1750	1700	1600	1550	1450	1750	1750	1750	1750	1700	1550	1500	1450	1400	1200	850	600

Data in ( ) are for when "Cabin Series" is selected (minimum front windshield).



# Engine powered forklift 2.0 ton

Truck specifications					02-8FGKF20	02-8FDKF20	02-8FGF20	02-8FDF20	52-8FDF20
Identification	1.1	Manufacturer			TOYOTA	TOYOTA	TOYOTA	TOYOTA	TOYOTA
	1.2	Model			02-8FGKF20	02-8FGKF20	02-8FGF20	02-8FDF20	52-8FDF20
	1.3	Drive			LPG	diesel	LPG	diesel	diesel
	1.4	Operator type			rider seated	rider seated	rider seated	rider seated	rider seated
	1.5	Load capacity/rated load	Q	kg	2000	2000	2000	2000	2000
	1.6	Load centre	c	mm	500	500	500	500	500
	1.8	Load distance, centre of drive axle to fork	x	mm	455	455	470	470	470
	1.9	Wheelbase	y	mm	1485	1485	1650	1650	1650
	Weight	2.1	Service weight			3150	3320	3250	3290
2.2		Axle load, with load, front/rear			4450/700	4490/730	4580/670	4600/690	4620/720
2.3		Axle load, without load, front/rear			1150/2000	1190/2030	1410/1840	1430/1860	1450/1890
Tyres	3.1	Tyre - pneumatic (P), pneumatic shaped cushion (SE), solid rubber (R)			P	P	P	P	P
	3.2	Tyre size, front			21x8-9-14PR (I)		7.00-12-14PR (I)		
	3.3	Tyre size, rear			18x7-8-16PR (I)		6.00-9-12PR (I)		
	3.5	Wheels, number front/rear (x=driven wheels)			2x/2	2x/2	2x/2	2x/2	2x/2
	3.6	Track width, front	b <sub>10</sub>	mm	960	960	960	960	960
	3.7	Track width, rear	b <sub>11</sub>	mm	940	940	965	965	965
	Dimensions	4.1	Tilt of mast/fork carriage forward/backward	$\alpha/\beta$	deg	7/10	7/10	6/11	6/11
4.2		Height, mast lowered	h <sub>1</sub>	mm	1975	1975	1995	1995	1995
4.3		Free lift	h <sub>2</sub>	mm	125	125	150	150	150
4.4		Lift	h <sub>3</sub>	mm	2960	2960	2960	2960	2960
		Lift height	h <sub>23</sub>	mm	3000	3000	3000	3000	3000
4.5		Height, mast extended	h <sub>4</sub>	mm	4250	4250	4250	4250	4250
4.7		Height of overhead guard (cab)	h <sub>6</sub>	mm	2085	2085	2110	2110	2110
4.8		Seat height/stand height	h <sub>7</sub>	mm	1025	1025	1050	1050	1050
4.12		Coupling height	h <sub>10</sub>	mm	285	285	315	315	315
4.19		Overall length	l <sub>1</sub>	mm	3395	3395	3575	3575	3575
4.20		Length to face of forks	l <sub>2</sub>	mm	2395	2395	2575	2575	2575
4.21		Overall width	b <sub>1</sub>	mm	1155	1155	1150	1150	1150
4.22		Fork dimensions	s/e/l	mm	40/100/1000	40/100/1000	40/100/1000	40/100/1000	40/100/1000
4.23		Fork carriage DIN 15 173, class/type A, B			IIA	IIA	IIA	IIA	IIA
4.24		Fork-carriage width	b <sub>3</sub>	mm	1020	1020	1020	1020	1020
4.31		Ground clearance, with load, below mast	m <sub>1</sub>	mm	60	60	90	90	90
4.32		Ground clearance, centre of wheelbase	m <sub>2</sub>	mm	85	85	135	135	135
4.33		Aisle width for pallets 1000 x 1200 crossways	A <sub>st</sub>	mm	3695	3695	3870	3870	3870
4.34	Aisle width for pallets 800 x 1200 lengthways	A <sub>st</sub>	mm	3895	3895	4070	4070	4070	
4.35	Turning radius	W <sub>a</sub>	mm	2040	2040	2200	2200	2200	
4.36	Internal turning radius	b <sub>13</sub>	mm	630	630	745	745	745	
Performance data	5.1	Travel speed, with/without load		km/h	17,0/17,5	17,0/17,5	17,5/18,0	18,5/19,0	19,0/19,5
	5.2	Lift speed, with/without load		m/s	0,60/0,64	0,58/0,60	0,60/0,64	0,62/0,66	0,67/0,70
	5.3	Lowering speed, with/without load		m/s	0,50/0,50	0,50/0,50	0,50/0,50	0,50/0,50	0,50/0,50
	5.6	Max. drawbar pull, with/without load		N	18800/7800	18900/7800	18500/9000	18600/9100	20000/9200
	5.7	Gradeability, with load <sup>1)2)</sup>		%	36	36	35	35	33
	5.8	Max. gradeability, with/without load <sup>2)</sup>		%	40/20	40/20	39/22	39/22	36/22
5.10	Service brake			hydraulic	hydraulic	hydraulic	hydraulic	hydraulic	
Combustion engine	7.1	Engine manufacturer/type			TOYOTA 4Y-ECS	TOYOTA 1DZ-III	TOYOTA 4Y-ECS	TOYOTA 1DZ-III	TOYOTA 3Z
	7.2	Engine power acc. to ISO 1585		kW	38	38	38	41	42
	7.3	Rated speed		1/min	2570	2400	2570	2500	2200
	7.4	No. of cylinders/displacement		cm <sup>3</sup>	4/2237	4/2486	4/2237	4/2486	4/3469
Others	8.2	Operating pressure for attachments		bar	147	147	147	147	147
	8.3	Oil volume for attachments		l/min	65-71	65-71	65-71	65-77	65-82
	8.4	Sound level at the driver's ear according to EN 12 053		dB(A)	77	79	77	79	79

<sup>1)</sup> At 1,5 km/h

<sup>2)</sup> Computed values

Performance data and dimensions are nominal and subject to tolerances. Specifications are subject to change without notice. Please obtain the latest specifications before contracting products.

# Master dimensions and rated capacities

Model			V								FV					FSV							
8FG/DF20	Lift height	$h_{23}$	3000	3300	3500	3700	4000	4500	5000	—	3000	3300	3500	3700	4000	4300	4700	5000	5500	6000	6500	7000	
	Lift	$h_3$	2960	3260	3460	3660	3960	4460	4960	—	2960	3260	3460	3660	3960	4260	4660	4960	5460	5960	—	—	
	Height, mast lowered	$h_1$	1975	2125	2225	2385	2575	2825	3075	—	1975	2125	2225	2385	2575	1975	2125	2225	2385	2575	—	—	
	Height, mast extended <sup>1)</sup>	$h_4$	3705	4005	4205	4405	4705	5205	5705	—	3635	3935	4135	4335	4635	4975	5375	5675	6175	6675	—	—	
	Height, mast extended <sup>2)</sup>	$h_4$	4250	4550	4750	4950	5250	5750	6250	—	4240	4540	4740	4940	5240	5540	5940	6240	6740	7240	—	—	
	Free lift, without load backrest	$h_2$	125	125	125	125	125	125	125	—	1370	1520	1620	1780	1970	1330	1480	1580	1740	1930	—	—	
	Free lift, with load backrest	$h_2$	125	125	125	125	125	125	125	—	765	915	1015	1175	1365	765	915	1015	1175	1365	—	—	
[1220] [1370] [1470] [1630] [1820]																							
8FG/DF20	Lift height	$h_{23}$	3000	3300	3500	3700	4000	4500	5000	5500	3000	3300	3500	3700	4000	4300	4700	5000	5500	6000	6500	7000	
	Lift	$h_3$	2960	3260	3460	3660	3960	4460	4960	5460	2960	3260	3460	3660	3960	4260	4660	4960	5460	5960	6460	6960	
	Height, mast lowered	$h_1$	1995	2145	2245	2405	2595	2845	3095	3345	1995	2145	2245	2405	2595	1995	2145	2245	2405	2595	2845	3095	
	Height, mast extended <sup>1)</sup>	$h_4$	3700	4000	4200	4400	4700	5200	5700	6200	3625	3925	4125	4325	4625	4900	5300	5600	6100	6600	7100	7600	
	Height, mast extended <sup>2)</sup>	$h_4$	4250	4550	4750	4950	5250	5750	6250	6750	4240	4540	4740	4940	5240	5540	5940	6240	6740	7240	7740	8240	
	Free lift, without load backrest	$h_2$	150	150	150	150	150	150	150	150	1400	1550	1650	1810	2000	1425	1575	1675	1835	2025	2275	2525	
	Free lift, with load backrest	$h_2$	150	150	150	150	150	150	150	150	785	935	1035	1195	1385	785	935	1035	1195	1385	1635	1885	
[1220] [1370] [1470] [1630] [1820]																							

1) Without load backrest

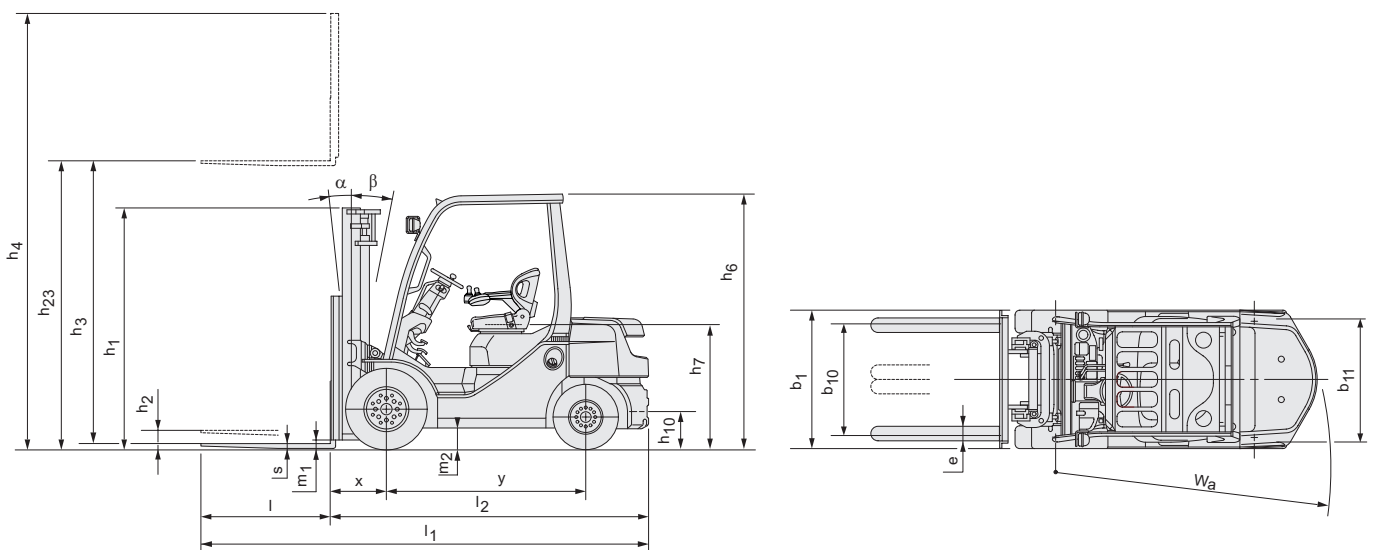
2) With load backrest; Height of standard load backrest is 1220 mm.

Data in [ ] are for when "A4 piping" is selected.

Single tyre			V								FV					FSV							
8FG/DF20	Tilt range, forward	deg	7	7	7	7	7	7	—	7	7	7	7	7	7	7	7	7	7	—	—		
	Tilt range, backward	deg	10(5)	10(5)	10(5)	10(5)	10(5)	5	5	—	10(5)	10(5)	10(5)	10(5)	10(5)	5	5	5	5	5	—	—	
	Load capacity, P tyres at 500 mm LC	kg	2000	2000	2000	2000	2000	1950	1850	—	2000	2000	2000	2000	2000	1900	1850	1450	1200	850	—	—	
	Load capacity, SE tyres at 500 mm LC	kg	2000	2000	2000	2000	2000	2000	2000	—	2000	2000	2000	2000	2000	2000	2000	1600	1350	1000	—	—	
8FG/DF20	Tilt range, forward	deg	6	6	6	6	6	6	—	6	6	6	6	6	6	6	6	6	6	6	—		
	Tilt range, backward	deg	11(6)	11(6)	11(6)	11(6)	11(6)	6	6	—	11(6)	11(6)	11(6)	11(6)	11(6)	6	6	6	6	6	6	—	
	Load capacity, P tyres at 500 mm LC	kg	2000	2000	2000	2000	2000	1950	1850	—	2000	2000	2000	2000	2000	1900	1850	1450	1200	850	650	—	
	Load capacity, SE tyres at 500 mm LC	kg	2000	2000	2000	2000	2000	1950	1900	—	2000	2000	2000	2000	2000	1900	1850	1600	1350	1000	750	—	

Dual tyre			V								FV					FSV							
8FG/DF20	Tilt range, forward	deg	6	6	6	6	6	6	6	6	6	6	6	6	6	6	6	6	6	6	6	6	
	Tilt range, backward	deg	11(6)	11(6)	11(6)	11(6)	11(6)	11(6)	6	6	11(6)	11(6)	11(6)	11(6)	11(6)	6	6	6	6	6	6	6	
	Load capacity, P/SE tyres at 500 mm LC	kg	2000	2000	2000	2000	2000	1950	1900	1800	2000	2000	2000	2000	2000	1950	1900	1850	1800	1600	1550	1200	

Data in ( ) are for when "Cabin Series" is selected (minimum front windshield).



# Engine powered forklift 2.5 ton

Truck specifications					02-8FGF25	02-8FDF25	52-8FDF25
Identification	1.1	Manufacturer			TOYOTA	TOYOTA	TOYOTA
	1.2	Model			02-8FGF25	02-8FDF25	52-8FDF25
	1.3	Drive			LPG	diesel	diesel
	1.4	Operator type			rider seated	rider seated	rider seated
	1.5	Load capacity/rated load	Q	kg	2500	2500	2500
	1.6	Load centre	c	mm	500	500	500
	1.8	Load distance, centre of drive axle to fork	x	mm	470	470	470
	1.9	Wheelbase	y	mm	1650	1650	1650
	Weight	2.1	Service weight			3560	3600
2.2		Axle load, with load, front/rear			5280/780	5300/800	5320/830
2.3		Axle load, without load, front/rear			1300/2260	1320/2280	1340/2310
Tyres	3.1	Tyre - pneumatic (P), pneumatic shaped cushion (SE), solid rubber (R)			P	P	P
	3.2	Tyre size, front			7.00-12-14PR (I)		
	3.3	Tyre size, rear			6.00-9-12PR (I)		
	3.5	Wheels, number front/rear (x=driven wheels)			2x/2	2x/2	2x/2
	3.6	Track width, front	b <sub>10</sub>	mm	960	960	960
	3.7	Track width, rear	b <sub>11</sub>	mm	965	965	965
	Dimensions	4.1	Tilt of mast/fork carriage forward/backward	$\alpha/\beta$	deg	6/11	6/11
4.2		Height, mast lowered	h <sub>1</sub>	mm	1995	1995	1995
4.3		Free lift	h <sub>2</sub>	mm	150	150	150
4.4		Lift	h <sub>3</sub>	mm	2960	2960	2960
		Lift height	h <sub>23</sub>	mm	3000	3000	3000
4.5		Height, mast extended	h <sub>4</sub>	mm	4250	4250	4250
4.7		Height of overhead guard (cab)	h <sub>6</sub>	mm	2110	2110	2110
4.8		Seat height/stand height	h <sub>7</sub>	mm	1050	1050	1050
4.12		Coupling height	h <sub>10</sub>	mm	315	315	315
4.19		Overall length	l <sub>1</sub>	mm	3640	3640	3640
4.20		Length to face of forks	l <sub>2</sub>	mm	2640	2640	2640
4.21		Overall width	b <sub>1</sub>	mm	1150	1150	1150
4.22		Fork dimensions	s/e/l	mm	40/100/1000	40/100/1000	40/100/1000
4.23		Fork carriage DIN 15 173, class/type A, B			IIA	IIA	IIA
4.24		Fork-carriage width	b <sub>3</sub>	mm	1020	1020	1020
4.31		Ground clearance, with load, below mast	m <sub>1</sub>	mm	90	90	90
4.32		Ground clearance, centre of wheelbase	m <sub>2</sub>	mm	135	135	135
4.33		Aisle width for pallets 1000 x 1200 crossways	A <sub>st</sub>	mm	3950	3950	3950
4.34		Aisle width for pallets 800 x 1200 lengthways	A <sub>st</sub>	mm	4150	4150	4150
4.35		Turning radius	W <sub>a</sub>	mm	2280	2280	2280
4.36	Internal turning radius	b <sub>13</sub>	mm	745	745	745	
Performance data	5.1	Travel speed, with/without load		km/h	17,5/18	18,5/19	19/19,5
	5.2	Lift speed, with/without load		m/s	0,60/0,64	0,62/0,66	0,67/0,70
	5.3	Lowering speed, with/without load		m/s	0,50/0,50	0,50/0,50	0,50/0,50
	5.6	Max. drawbar pull, with/without load		N	18500/8500	18600/8500	20000/8800
	5.7	Gradeability, with load <sup>1)2)</sup>		%	29	29	28
	5.8	Max. gradeability, with/without load <sup>2)</sup>		%	33/19	32/19	31/19
5.10	Service brake			hydraulic	hydraulic	hydraulic	
Combustion engine	7.1	Engine manufacturer/type			TOYOTA 4Y-ECS	TOYOTA 1DZ-III	TOYOTA 3Z
	7.2	Engine power acc. to ISO 1585		kW	38	41	42
	7.3	Rated speed		1/min	2570	2500	2200
	7.4	No. of cylinders/displacement		cm <sup>3</sup>	4/2237	4/2486	4/3469
Others	8.2	Operating pressure for attachments		bar	147	147	147
	8.3	Oil volume for attachments		l/min	65-71	65-77	65-82
	8.4	Sound level at the driver's ear according to EN 12 053		dB(A)	77	79	79

<sup>1)</sup> At 1,5 km/h

<sup>2)</sup> Computed values

Performance data and dimensions are nominal and subject to tolerances. Specifications are subject to change without notice. Please obtain the latest specifications before contracting products.

# Master dimensions and rated capacities

Model			V							FV					FSV							
8FG/DF25	Lift height	$h_{23}$	3000	3300	3500	3700	4000	4500	5000	5500	3000	3300	3500	3700	4000	4300	4700	5000	5500	6000	6500	7000
	Lift	$h_3$	2960	3260	3460	3660	3960	4460	4960	5460	2960	3260	3460	3660	3960	4260	4660	4960	5460	5960	6460	6960
	Height, mast lowered	$h_1$	1995	2145	2245	2405	2595	2845	3095	3345	1995	2145	2245	2405	2595	1995	2145	2245	2405	2595	2845	3095
	Height, mast extended <sup>1)</sup>	$h_4$	3700	4000	4200	4400	4700	5200	5700	6200	3625	3925	4125	4325	4625	4900	5300	5600	6100	6600	7100	7600
	Height, mast extended <sup>2)</sup>	$h_4$	4250	4550	4750	4950	5250	5750	6250	6750	4240	4540	4740	4940	5240	5540	5940	6240	6740	7240	7740	8240
	Free lift, without load backrest	$h_2$	150	150	150	150	150	150	150	150	1400 [1220]	1550 [1370]	1650 [1470]	1810 [1630]	2000 [1820]	1425	1575	1675	1835	2025	2275	2525
	Free lift, with load backrest	$h_2$	150	150	150	150	150	150	150	150	785	935	1035	1195	1385	785	935	1035	1195	1385	1635	1885

1) Without load backrest

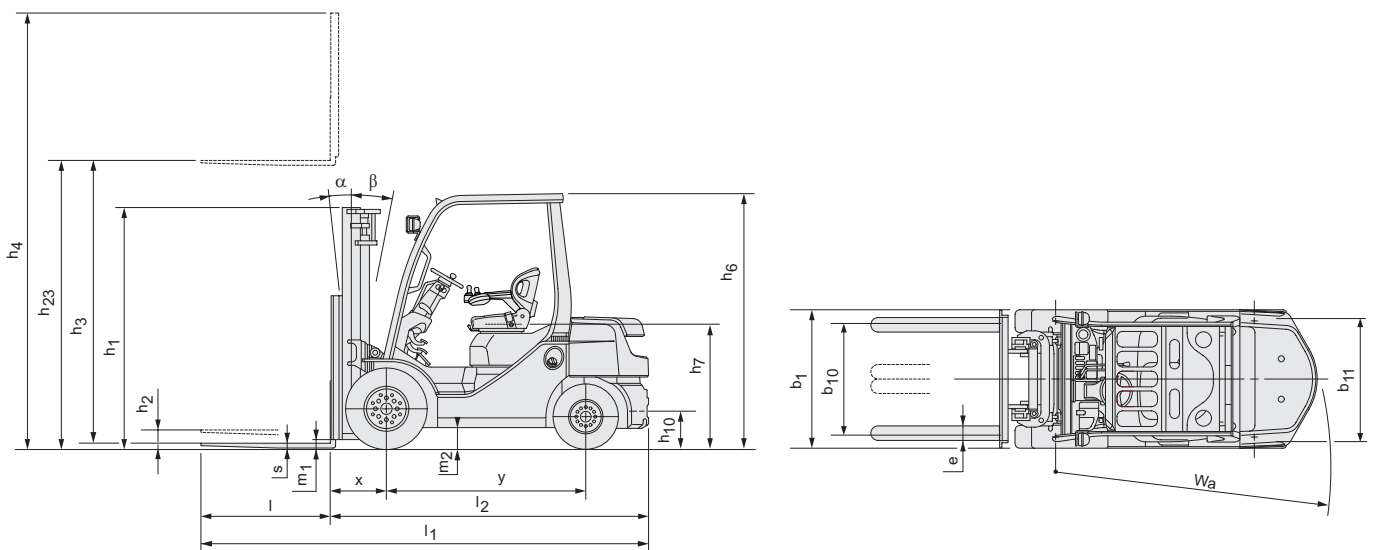
2) With load backrest; Height of standard load backrest is 1220 mm.

Data in [ ] are for when "A4 piping" is selected.

Single tyre			V							FV					FSV							
8FG/DF25	Tilt range, forward	deg	6	6	6	6	6	6	6	—	6	6	6	6	6	6	6	6	6	6	6	—
	Tilt range, backward	deg	11(6)	11(6)	11(6)	11(6)	9	6	6	—	11(6)	11(6)	11(6)	11(6)	9	6	6	6	6	6	6	—
	Load capacity, P tyres at 500 mm LC	kg	2500	2500	2500	2500	2500	2150	1700	—	2500	2500	2500	2500	2500	2300	2000	1500	1250	900	650	—
	Load capacity, SE tyres at 500 mm LC	kg	2500	2500	2500	2500	2500	2300	1850	—	2500	2500	2500	2500	2500	2300	2000	1650	1400	1050	750	—

Dual tyre			V							FV					FSV							
8FG/DF25	Tilt range, forward	deg	6	6	6	6	6	6	6	6	6	6	6	6	6	6	6	6	6	6	6	6
	Tilt range, backward	deg	11(6)	11(6)	11(6)	11(6)	11(6)	11(6)	6	6	11(6)	11(6)	11(6)	11(6)	11(6)	6	6	6	6	6	6	6
	Load capacity, P/SE tyres at 500 mm LC	kg	2500	2500	2500	2500	2500	2450	2400	2300	2500	2500	2500	2500	2500	2500	2450	2400	2050	1700	1550	1200

Data in ( ) are for when "Cabin Series" is selected (minimum front windshield).



# Engine powered forklift 3.0 ton

Truck specifications					02-8FGF30	02-8FDF30	52-8FDF30
Identification	1.1	Manufacturer			TOYOTA	TOYOTA	TOYOTA
	1.2	Model			02-8FGF30	02-8FDF30	52-8FDF30
	1.3	Drive			LPG	diesel	diesel
	1.4	Operator type			rider seated	rider seated	rider seated
	1.5	Load capacity/rated load	Q	kg	3000	3000	3000
	1.6	Load centre	c	mm	500	500	500
	1.8	Load distance, centre of drive axle to fork	x	mm	505	505	505
	1.9	Wheelbase	y	mm	1700	1700	1700
	Weight	2.1	Service weight			4230	4270
2.2		Axle load, with load, front/rear			6200/1030	6230/1040	6260/1070
2.3		Axle load, without load, front/rear			1460/2770	1500/2770	1520/2810
Tyres	3.1	Tyre - pneumatic (P), pneumatic shaped cushion (SE), solid rubber (R)			P	P	P
	3.2	Tyre size, front			28x9-15-14PR (I)		
	3.3	Tyre size, rear			6.50-10-14PR (I)		
	3.5	Wheels, number front/rear (x=driven wheels)			2x/2	2x/2	2x/2
	3.6	Track width, front	b <sub>10</sub>	mm	1010	1010	1010
	3.7	Track width, rear	b <sub>11</sub>	mm	965	965	965
	Dimensions	4.1	Tilt of mast/fork carriage forward/backward	$\alpha/\beta$	deg	6/11	6/11
4.2		Height, mast lowered	h <sub>1</sub>	mm	2020	2020	2020
4.3		Free lift	h <sub>2</sub>	mm	135	135	135
4.4		Lift	h <sub>3</sub>	mm	2955	2955	2955
		Lift height	h <sub>23</sub>	mm	3000	3000	3000
4.5		Height, mast extended	h <sub>4</sub>	mm	4260	4260	4260
4.7		Height of overhead guard (cab)	h <sub>6</sub>	mm	2170	2170	2170
4.8		Seat height/stand height	h <sub>7</sub>	mm	1110	1110	1110
4.12		Coupling height	h <sub>10</sub>	mm	335	335	335
4.19		Overall length	l <sub>1</sub>	mm	3800	3800	3800
4.20		Length to face of forks	l <sub>2</sub>	mm	2800	2800	2800
4.21		Overall width	b <sub>1</sub>	mm	1240	1240	1240
4.22		Fork dimensions	s/e/l	mm	45/100/1000	45/100/1000	45/100/1000
4.23		Fork carriage DIN 15 173, class/type A, B			IIIA	IIIA	IIIA
4.24		Fork-carriage width	b <sub>3</sub>	mm	1070	1070	1070
4.31		Ground clearance, with load, below mast	m <sub>1</sub>	mm	110	110	110
4.32		Ground clearance, centre of wheelbase	m <sub>2</sub>	mm	180	180	180
4.33		Aisle width for pallets 1000 x 1200 crossways	A <sub>st</sub>	mm	4135	4135	4135
4.34		Aisle width for pallets 800 x 1200 lengthways	A <sub>st</sub>	mm	4335	4335	4335
4.35		Turning radius	W <sub>a</sub>	mm	2430	2430	2430
4.36	Internal turning radius	b <sub>13</sub>	mm	720	720	720	
Performance data	5.1	Travel speed, with/without load		km/h	18,5/19,0	17,5/18,0	18,0/18,5
	5.2	Lift speed, with/without load		m/s	0,51/0,55	0,50/0,53	0,55/0,57
	5.3	Lowering speed, with/without load		m/s	0,50/0,50	0,50/0,50	0,50/0,50
	5.6	Max. drawbar pull, with/without load		N	18000/10300	19500/10400	18800/10600
	5.7	Gradeability, with load <sup>1)2)</sup>		%	23	24	25
	5.8	Max. gradeability, with/without load <sup>2)</sup>		%	26/20	27/20	28/20
5.10	Service brake			hydraulic	hydraulic	hydraulic	
Combustion engine	7.1	Engine manufacturer/type			TOYOTA 4Y-ECS	TOYOTA 1DZ-III	TOYOTA 3Z
	7.2	Engine power acc. to ISO 1585		kW	42	41	42
	7.3	Rated speed		1/min	2570	2500	2200
	7.4	No. of cylinders/displacement		cm <sup>3</sup>	4/2237	4/2486	4/3469
Others	8.2	Operating pressure for attachments		bar	147	147	147
	8.3	Oil volume for attachments		l/min	65-74	65-75	65-80
	8.4	Sound level at the driver's ear according to EN 12 053		dB(A)	77	79	79

<sup>1)</sup> At 1,5 km/h

<sup>2)</sup> Computed values

Performance data and dimensions are nominal and subject to tolerances. Specifications are subject to change without notice. Please obtain the latest specifications before contracting products.

# Master dimensions and rated capacities

Model			V								FV					FSV							
8FG/DF30	Lift height	$h_{23}$	3000	3300	3500	3700	4000	4500	5000	5500	6000	3000	3300	3500	3700	4000	4300	4700	5000	5500	6000	6500	7000
	Lift	$h_3$	2955	3255	3455	3655	3955	4455	4955	5455	5955	2955	3255	3455	3655	3955	4255	4655	4955	5455	5955	6455	6955
	Height, mast lowered	$h_1$	2010	2160	2260	2420	2610	2860	3110	3360	3650	2010	2160	2260	2420	2610	2160	2260	2420	2610	2860	3110	3360
	Height, mast extended <sup>1)</sup>	$h_4$	3765	4065	4265	4465	4765	5265	5765	6265	6765	3650	3950	4150	4350	4650	4950	5350	5650	6150	6650	7150	7650
	Height, mast extended <sup>2)</sup>	$h_4$	4260	4560	4760	4960	5260	5760	6260	6760	7260	4250	4550	4750	4950	5250	5550	5950	6250	6750	7250	7750	8250
	Free lift, without load backrest	$h_2$	135	135	135	135	135	135	135	135	135	1400	1550	1650	1810	2000	1550	1650	1810	2000	2250	2500	2750
	Free lift, with load backrest	$h_2$	135	135	135	135	135	135	135	135	135	800	950	1050	1210	1400	950	1050	1210	1400	1650	1900	2150

1) Without load backrest

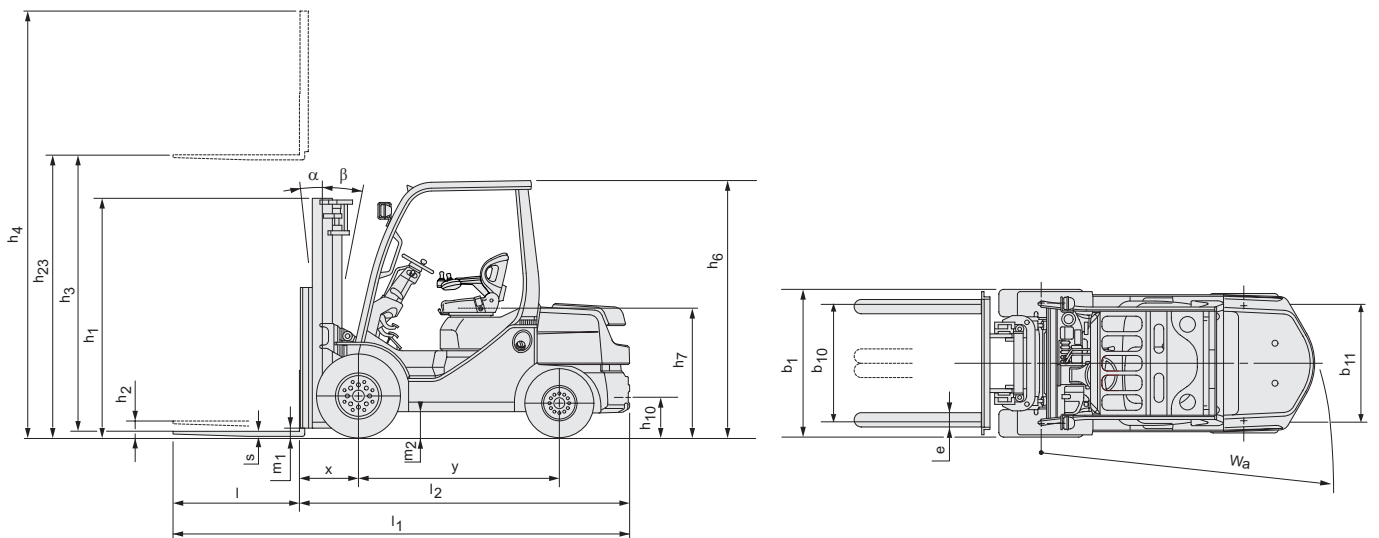
2) With load backrest; Height of standard load backrest is 1220 mm.

Data in [ ] are for when "A4 piping" is selected.

Single tyre			V								FV					FSV							
8FG/DF30	Tilt range, forward	deg	6	6	6	6	6	6	6	—	—	6	6	6	6	6	6	6	6	6	6	6	—
	Tilt range, backward	deg	11(6)	11(6)	11(6)	11(6)	11(6)	6	6	—	—	11(6)	11(6)	11(6)	11(6)	11(6)	6	6	6	6	6	6	—
	Load capacity, P tyres at 500 mm LC	kg	3000	3000	3000	3000	3000	3000	2600	—	—	3000	3000	3000	3000	3000	3000	3000	2600	1900	1500	1000	—
	Load capacity, SE tyres at 500 mm LC	kg	3000	3000	3000	3000	3000	3000	2750	—	—	3000	3000	3000	3000	3000	3000	3000	2750	2050	1650	1100	—

Dual tyre			V								FV					FSV							
8FG/DF30	Tilt range, forward	deg	6	6	6	6	6	6	6	6	6	6	6	6	6	6	6	6	6	6	6	6	6
	Tilt range, backward	deg	11(6)	11(6)	11(6)	11(6)	11(6)	11(6)	6	6	6	11(6)	11(6)	11(6)	11(6)	11(6)	6	6	6	6	6	6	6
	Load capacity, P/SE tyres at 500 mm LC	kg	3000	3000	3000	3000	3000	3000	3000	2550	2050	3000	3000	3000	3000	3000	3000	3000	2950	2650	2050	1600	1200

Data in ( ) are for when "Cabin Series" is selected (minimum front windshield).



# Engine powered forklift 3.5 ton

Truck specifications					02-8FGJF35	52-8FDJF35
Identification	1.1	Manufacturer			TOYOTA	TOYOTA
	1.2	Model			02-8FGJF35	52-8FDJF35
	1.3	Drive			LPG	diesel
	1.4	Operator type			rider seated	rider seated
	1.5	Load capacity/rated load	Q	kg	3500	3500
	1.6	Load centre	c	mm	500	500
	1.8	Load distance, centre of drive axle to fork	x	mm	515	515
	1.9	Wheelbase	y	mm	1700	1700
	Weight	2.1	Service weight			4840
2.2		Axle load, with load, front/rear			7220/1120	7260/1180
2.3		Axle load, without load, front/rear			1660/3180	1700/3240
Tyres	3.1	Tyre - pneumatic (P), pneumatic shaped cushion (SE), solid rubber (R)			P	P
	3.2	Tyre size, front			250-15-18PR (I)	
	3.3	Tyre size, rear			6.50-10-14PR (I)	
	3.5	Wheels, number front/rear (x=driven wheels)			2x/2	2x/2
	3.6	Track width, front	b <sub>10</sub>	mm	1060	1060
	3.7	Track width, rear	b <sub>11</sub>	mm	965	965
	Dimensions	4.1	Tilt of mast/fork carriage forward/backward	$\alpha/\beta$	deg	6/11
4.2		Height, mast lowered	h <sub>1</sub>	mm	2125	2125
4.3		Free lift	h <sub>2</sub>	mm	135	135
4.4		Lift	h <sub>3</sub>	mm	2955	2955
		Lift height	h <sub>23</sub>	mm	3000	3000
4.5		Height, mast extended	h <sub>4</sub>	mm	4260	4260
4.7		Height of overhead guard (cab)	h <sub>6</sub>	mm	2180	2180
4.8		Seat height/stand height	h <sub>7</sub>	mm	1120	1120
4.12		Coupling height	h <sub>10</sub>	mm	335	335
4.19		Overall length	l <sub>1</sub>	mm	3865	3865
4.20		Length to face of forks	l <sub>2</sub>	mm	2865	2865
4.21		Overall width	b <sub>1</sub>	mm	1290	1290
4.22		Fork dimensions	s/e/l	mm	45/125/1000	45/125/1000
4.23		Fork carriage DIN 15 173, class/type A, B			IIIA	IIIA
4.24		Fork-carriage width	b <sub>3</sub>	mm	1070	1070
4.31		Ground clearance, with load, below mast	m <sub>1</sub>	mm	130	130
4.32		Ground clearance, centre of wheelbase	m <sub>2</sub>	mm	190	190
4.33		Aisle width for pallets 1000 x 1200 crossways	A <sub>st</sub>	mm	4205	4205
4.34		Aisle width for pallets 800 x 1200 lengthways	A <sub>st</sub>	mm	4405	4405
4.35	Turning radius	W <sub>a</sub>	mm	2490	2490	
4.36	Internal turning radius	b <sub>13</sub>	mm	745	745	
Performance data	5.1	Travel speed, with/without load		km/h	19,0/19,5	19,0/19,5
	5.2	Lift speed, with/without load		m/s	0,43/0,45	0,45/0,48
	5.3	Lowering speed, with/without load		m/s	0,50/0,45	0,50/0,45
	5.6	Max. drawbar pull, with/without load		N	17000/10500	18500/10700
	5.7	Gradeability, with load <sup>1)2)</sup>		%	18	19
	5.8	Max. gradeability, with/without load <sup>2)</sup>		%	20/18	21/19
5.10	Service brake			hydraulic	hydraulic	
Combustion engine	7.1	Engine manufacturer/type			TOYOTA 4Y-ECS	TOYOTA 3Z
	7.2	Engine power acc. to ISO 1585		kW	42	42
	7.3	Rated speed		1/min	2570	2200
	7.4	No. of cylinders/displacement		cm <sup>3</sup>	4/2237	4/3469
Others	8.2	Operating pressure for attachments		bar	147	147
	8.3	Oil volume for attachments		l/min	65-74	65-80
	8.4	Sound level at the driver's ear according to EN 12 053		dB(A)	77	79

<sup>1)</sup> At 1,5 km/h

<sup>2)</sup> Computed values

Performance data and dimensions are nominal and subject to tolerances. Specifications are subject to change without notice. Please obtain the latest specifications before contracting products.

# Most dimensions and rated capacities

Model		V										FV					FSV						
8FG/DJF35	Lift height	$h_{23}$	3000	3300	3500	3700	4000	4500	5000	5500	6000	3000	3300	3500	3700	4000	4300	4700	5000	5500	6000	6500	7000
	Lift	$h_3$	2955	3255	3455	3655	3955	4455	4955	5455	5955	2955	3255	3455	3655	3955	4255	4655	4955	5455	5955	6455	6955
	Height, mast lowered	$h_1$	2115	2295	2395	2495	2745	2995	3245	3545	3795	2115	2295	2395	2495	2745	2230	2435	2625	2875	3125	3375	3625
	Height, mast extended <sup>1)</sup>	$h_4$	3910	4210	4410	4610	4910	5410	5910	6410	6910	3765	4065	4265	4465	4765	5065	5465	5765	6265	6765	7265	7765
	Height, mast extended <sup>2)</sup>	$h_4$	4260	4560	4760	4960	5260	5760	6260	6760	7260	4250	4550	4750	4950	5250	5550	5950	6250	6750	7250	7750	8250
	Free lift, without load backrest	$h_2$	135	135	135	135	135	135	135	135	135	1390	1570	1670	1770	2020	1500	1710	1900	2150	2400	2650	2900
	Free lift, with load backrest	$h_2$	135	135	135	135	135	135	135	135	135	905	1085	1185	1285	1535	1015	1225	1415	1665	1915	2165	2415

1) Without load backrest

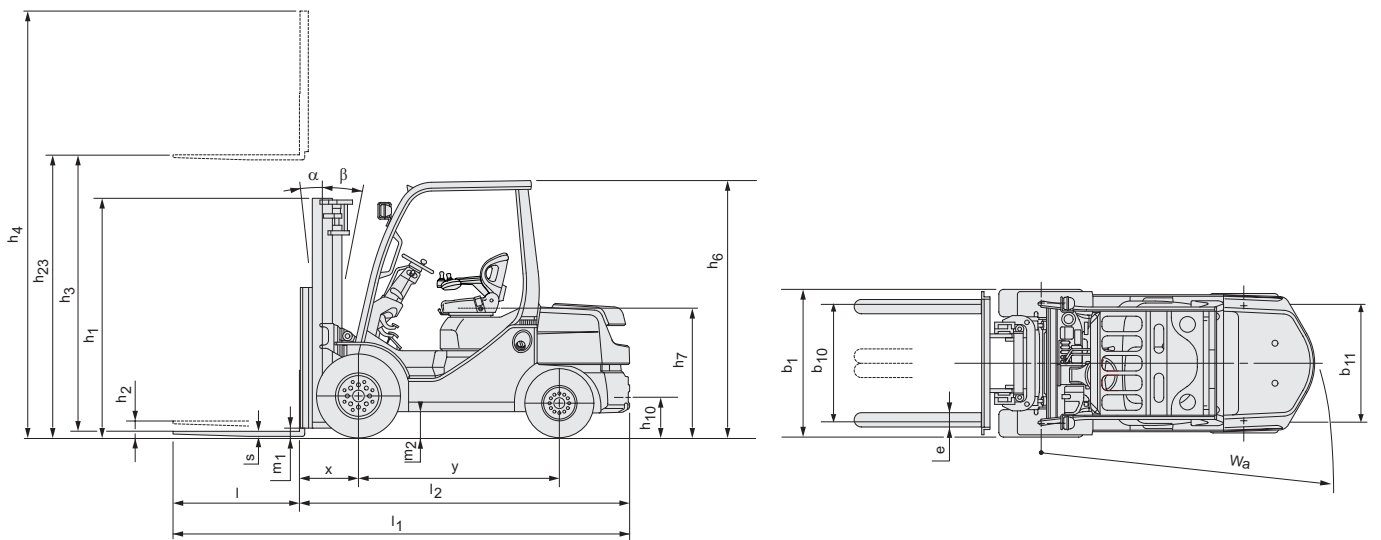
2) With load backrest; Height of standard load backrest is 1220 mm.

Data in [ ] are for when "A4 piping" is selected.

Single tyre		V										FV					FSV						
8FG/DJF35	Tilt range, forward	deg	6	6	6	6	6	6	6	—	—	6	6	6	6	6	6	6	6	6	6	6	—
	Tilt range, backward	deg	11(6)	11(6)	11(6)	11(6)	11(6)	6	6	—	—	11(6)	11(6)	11(6)	11(6)	11(6)	6	6	6	6	6	6	—
	Load capacity, P tyres at 500 mm LC	kg	3500	3500	3500	3500	3500	3500	3300	—	—	3500	3500	3500	3500	3500	3500	3400	3300	2700	2000	1100	—
	Load capacity, SE tyres at 500 mm LC	kg	3500	3500	3500	3500	3500	3500	3400	—	—	3500	3500	3500	3500	3500	3500	3400	3300	2850	2150	1100	—

Dual tyre		V										FV					FSV						
8FG/DJF35	Tilt range, forward	deg	6	6	6	6	6	6	6	6	6	6	6	6	6	6	6	6	6	6	6	6	6
	Tilt range, backward	deg	11(6)	11(6)	11(6)	11(6)	11(6)	11(6)	6	6	6	11(6)	11(6)	11(6)	11(6)	11(6)	6	6	6	6	6	6	6
	Load capacity, P/SE tyres at 500 mm LC	kg	3500	3500	3500	3500	3500	3500	3400	2950	1900	3500	3500	3500	3500	3500	3500	3400	3300	3200	2400	1650	900

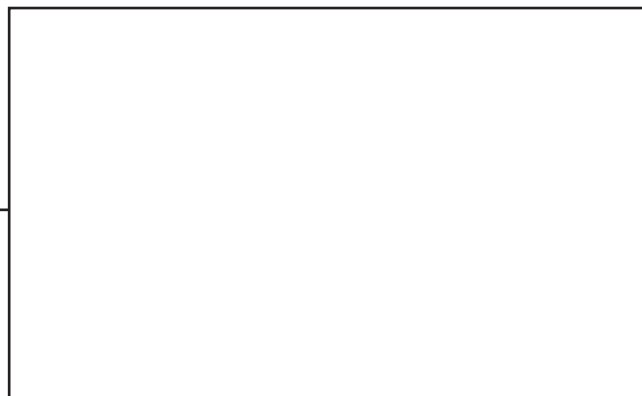
Data in ( ) are for when "Cabin Series" is selected (minimum front windshield).



## Standard equipments:

- Toyota SAS (System of Active Stability\*)
- Toyota OPS (Operator Presence Sensing)
- Toyota ORS seat (Operator Restraint System)
- Wide visible mast [MFH: 3000 mm]
- Load backrest [Height: 1220 mm]
- Long forks [Length: 1000 mm]
- Long forkbar [Length: 920 mm (8FG/DF15.18); 1020 mm (8FG/DKF20, 8FG/DF20.25); 1070 mm (8FG/DF30,8FG/DJF35)]
- 3-way valve (A400)
- Dual brake system
- Pneumatic tyres
- Full hydraulic power steering
- 7" cyclone air cleaner with snorkel air intake
- Anti-restart ignition key switch
- Headlights
- Rear combination lights
- Combination meter including self diagnostic system
- Adjustable tilt steering column
- Polycarbonate roof

\* = When dual tyres are selected, the Active Control Rear Stabilizer function of the SAS system of Active Stability (SAS) is not included.



TP-Technical Publications, Sweden — 745562-040, version 2, 0912 — 8FG/8FDF